

## Club on Round Rose



**Product Code:** CL-R10-SC

**Description:**

Design pedigree inherited from the Duo and Quad range gives this Club lever soft contours and bold lines that add a sophisticated look to any doors.

**Compliance:**    

**Size Selected:**

Full set

**Material:**

Brass

**Dimensions:**

Overall h53 x w136.5 x d46.5 mm (see line drawing download)

**Finish:**

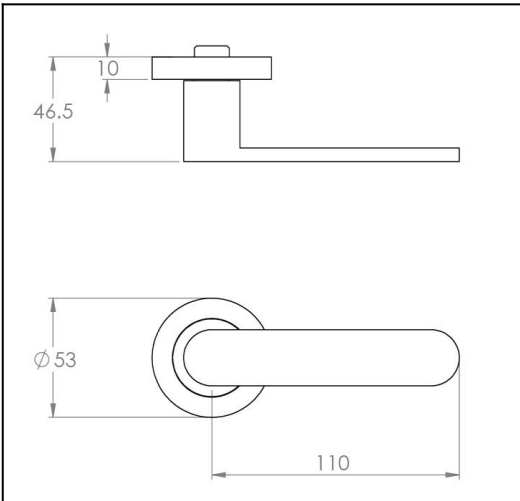
Satin Chrome



**Fixing:**

Through bolt fixing, fully concealed. Self adjusting spindle 7.6mm to 8mm. Fits any lock or latch.

<http://www.designerdoorware.com.au/catalogue/55339>



**Line Drawings**

As a generic representation of the product, Line Drawings are designed for general use only and may not reflect specifics for all product options such as individual functions or sizes etc.

**Contact Us**

For any further clarification of this product information or for help and advice, please call us on +613 9300 8888.

Designer Doorware reserves the right to make changes in design, specification, or additions and improvements to our products without notice. Under no circumstances is Designer Doorware obliged to manufacture current products as previously supplied. Designer Doorware is not responsible for additions, alterations or assembly made to our products by others. By downloading this information, you accept and are bound by the Terms & Conditions of this website.

For full Terms & Conditions and Product Warranty information refer to [www.designerdoorware.com.au](http://www.designerdoorware.com.au).

© Designer Doorware - 7 Kimpton Way, Altona VIC 3018 Australia.